



# 产品规格书

PRODUCT SPECIFICATION

客户名称Buyer Name	
客户料号Buyer Part No.	
客户承认签章 Buyers Approval & Signatures	

文件编号Spec No.		版本	A/1
品名描述 Product Description	扁平振动马达 Coin type vibration motor		
型号Part No.	VC0720B013F		
送样日期Date			
设计Designed by	审核Checked by	批准Approved by	
陳满			
2020.07.01	2020.07.01	2020.07.01	

Vybronic

[www.vybronic.com](http://www.vybronic.com)

[info@vybronic.com](mailto:info@vybronic.com)

**规格书内容 Contents**

<b>1. 重要提示/Importance Notes</b>	<b>3/9</b>
<b>2. 更改记录/Revised Record</b>	<b>3/9</b>
<b>3. 试用范围/Application</b>	<b>4/9</b>
<b>4. 试用条件/Operation condition</b>	<b>4/9</b>
<b>5. 测定条件/Measuring Conditions</b>	<b>4/9</b>
<b>6. 电气性能/Electrical Characteristics</b>	<b>5/9</b>
<b>7. 机械特性/Mechanical Characteristic</b>	<b>5/9</b>
<b>8. 可靠性测试/Reliability Test</b>	<b>6/9</b>
<b>9. 可靠性测试判定标准/Requirement After Reliable Test</b>	<b>6/9</b>
<b>10. 使用注意事项/Cautions for Use</b>	<b>7/9</b>
<b>11. 包装/Packing Require</b>	<b>8/9</b>
<b>12. 外形图/Motor Outline Drawing</b>	<b>9/9</b>

**1.重要提示 Importance Notes:**

- 1) 如对电机的性能和/或寿命有任何争议，仅基于此规格书作出判断。

If there is any argument on motor performance and/or life, judgment is to be made base on this specification only.

- 2) 客户方有责任确认该电机能满足您的使用要求。

Customer has the responsibility to ensure that the motor can satisfy the requirement of your application.

- 3) 如果贵公司未提供技术规格，该文件将详细叙述与贵公司商定的技术规格。

In the event that an official specification is not present by customer; this document will specify the agreed technical specification .

- 4) 在满足规格的条件下，我司可以改变零件材料、尺寸及形状来改善品质，和/或性能，和/或生产效率。

Within the limitation to satisfy this specification, Vybronic has the convenience to change the materials, sizes and shapes of components of the motor for the purpose of improving quality, and/or performance, and/or production efficiency.

- 5) 符合 Vybronic 最新版《禁用有害物质标准》。

Conform to the Standard of Prohibition in Using Hazardous Substances in new version by Vybronic

- 6) 收到此规格书后，贵司应于下订单之前将规格书副本签回以示贵司已确认。如贵司未能在规定时间内签回副本，我司将认为贵司已收到并承认该规格书。

After the receipt of this specification, customer should send a signed copy to Vybronic before you issued purchase order for the confirmation on acknowledgement. Vybronic regard it as the receipt of this specification acknowledged if customer fails to return the confirmation to us within the described period.

**2. 更改记录/Revised Record**

修改号 Rev. No.	日期 Rev. Date	页码 Page No.	修改项目 Revised Item	更改原因 Reason
A/0	2016.10.08	/	产品颁布/ Release for Production	
A/1	2020.07.01	/	changed company name from JINLONG MACHINERY to VYBRONICS, changed part # from C0720B013F to VC0720B013F	Rebranding

### 3. 试用范围/Application

本说明书适用于扁平式永磁直流电机 VC0720B 系列.

This specification applies to coin type permanent-magnetic motors DC model VC0720B.

### 4. 试用条件/Operating Condition

项目/Item	标准/Specifications
4-1 额定电压/Rated voltage	3.0V DC
4-2 使用电压/Operating voltage	2.7~3.3V DC
4-3 旋转方向/Rotation	CW (clockwise) or CCW (counter clockwise)
4-4 工作环境/ Operating environment	-20~60°C, 常湿/Ordinary Humidity:65±20%RH
4-5 存储环境/ Storage environment	-30~70°C, 常湿/Ordinary Humidity:65±20%RH

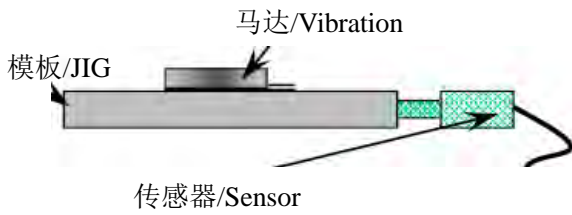
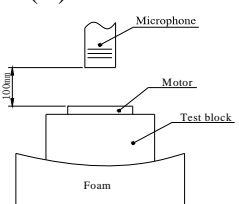
### 5. 测定条件/Measuring Conditions

项目/Item	标准/Specification
5-1 温度/Temperature	25±3°C
5-2 湿度/Humidity	65±20% RH
5-3 电源电压/Power supply	稳压直流电源/Constant Power supply 3.0V DC.

**6. Electrical Characteristics**

项目/Item		标准/Specification	条件/Condition
6-1	额定转速/ Rated speed	10000rpm MIN	额定电压下/At rated voltage.
6-2	额定电流/ Rated current	80mA Max	
6-3	启动电/ Starting voltage	2.5V DC Max	/
6-5	绝缘电/ Insulation resistance	10MΩ Min	100V 直流电压下，在线路与壳体间/At DC 100V between wire and case.
6-6	电阻/ Terminal resistance	43 Ω ± 15% (单相/single posture)	At 25°C

**7. 机械特性/Mechanical Characteristic**

项目/Item		标准/Specification
7-1	测量模具/using dummy set (10g) 设备/equipment: PV-90B 感测器/sensor: VM-83 输入电压: 3.0V input voltage : 3.0V 振动量/Vibrations: 0.8G (AVG.)	
7-2	机械噪音/Mechanical noise  在额定电压下/At rated voltage. 背景噪音/Back ground noise 28dB (A) Max.	50dB (A) Max.  

**8. 可靠性试验 /Reliability Test**

NO.	Item	Test condition	Requirements
8-1	寿命/Life time	额定电压/ Rated voltage: 3.0V DC 试验模式/ Test mode: 2s On, 2s Off, as one cycle. 循环次数/ Test cycle:30000 cycles	在常温常湿下放置 2 小时候后, 马达特性应符合 9-1, 9-2, 98-3 的要求./After 2 hours exposure in ordinary temperature and humidity, Motors shall be approved as specified in item 9-1, 9-2, 9-3.
8-2	低温存储 /Storage in cold	温度/Temperature: $-40^{\circ}\text{C}$ 时间/Time: 96h	在常温常湿下放置 2 小时候后, 马达特性应符合 9-1, 9-2, 98-3 的要求./After 2 hours exposure in ordinary temperature and humidity, Motors shall be approved as specified in item 9-1, 9-2, 9-3.
8-3	高温存储 /Storage in heat	温度/Temperature: $80^{\circ}\text{C}$ 时间/Time: 96h	
8-4	高温高湿 /High Humidity exposure	温度/Temperature: $+60^{\circ}\text{C}$ 湿度/Humidity: 90%RH 放置时间/ Exposure time: 168h 无水气凝结/ No condensation of moisture	
8-5	振动 /Vibration	全振幅/Displacement: 1.5mm (p-p) 频率/Frequency: 10~55Hz 加速度/Acceleration: $22\text{m/s}^2$ 周期/Period: 10 分钟范围内 (10~55~10Hz)/ 10 Minutes log sweep (10~55~10Hz) 条件/Condition: 在样机中, 在 3 个垂直的轴方向每个方向做 10 分钟的测试。Samples shall be applied for a period of 10 minutes in three axial directions.	在常温常湿下放置 2 小时候后, 马达特性应符合 9-1, 9-2, 98-3 的要求./After 2 hours exposure in ordinary temperature and humidity, Motors shall be approved as specified in item 9-1, 9-2, 9-3.

**9. 判定标准/Requirement After Reliable Test**

NO.	项目/Item	标准/Specification
9-1	额定转速/Rated speed	初始值的 $\pm 30\%$ /Initial data $\pm 30\%$
9-2	额定电流/Rated Current	初始值的 $\pm 30\%$ /Initial data $\pm 30\%$
9-3	启动电压/Starting voltage	$\leq 2.5\text{V}$

## 10.注意事项/Cautions

10-1 必须按照规格书标准使用，否则性能和寿命都将受到相当地减少，必须注意电压的使用范围。

Unless it is used in accordance with the specifications, the performance and life may be considerably reduced. Due attention should be paid to voltage and range for use.

10-2 建议马达在六个月内使用，不要在以下环境中使用及保存：

1. 高温和高湿的场所；
2. 腐蚀性气体,如：H<sub>2</sub>S、SO<sub>2</sub>、NO<sub>2</sub>、Cl<sub>2</sub>；
3. 生锈场所。

Advice uses this motor within 6 months as avoiding as possible. Avoid use or save the motor in the following environment.

1. High temperature and high humidity area
2. Corrosive gas such as H<sub>2</sub>S, SO<sub>2</sub>, NO<sub>2</sub>, Cl<sub>2</sub>.
3. Dusty area.

10-3 注意处理马达的工作环境，避免含铁质等物体被马达吸住，否则马达将会产生噪声，性能会降低，从而减少产品可靠性。

Due attention must be paid to the handling and working environments because such objects as iron powder if attracted by the motor magnet, will cause noise, characteristic deterioration thus reducing the reliability.

10-4 应确信本产品不会与相关标准、法律、政令相背。

Please confirm enough no problems of standards and laws and ordinances on your cellular phone.

10-5 拿马达时，要轻拿轻放。

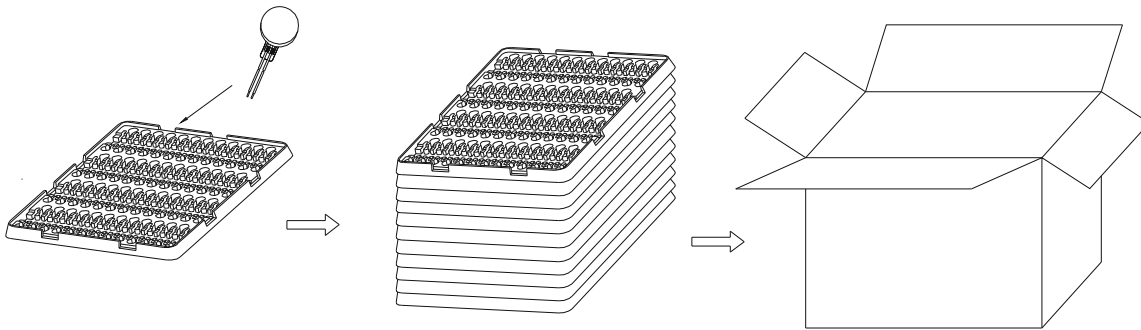
To handle the motor, hold the motor case softly.

10-6 钢板面或边缘有少许锈斑是允许的。

Rust of plate (steel) and similar edge should be OK.

10-7 我司遵循持续发展的策略，在不预先通知的情况下，有对产品（部品）进行修改和改进的权利，当然这些都不会影响马达的特性及使用功能。

Our company follows the sustainable developing strategy, and have the right to make changes and improvements to our product without giving notice in advance. Of course, these changes and improvements will not affect the characteristics and function of the motor.

**11. 包装/Packing Require**
**扁平系列马达包装  
Pack drawing of coin type**


100PCS (1 tray) × 10

1000PCS (1 bundle)

1 box × 2

**Remarks:**

4000PCS/CTN: 45cm × 28cm × 20cm

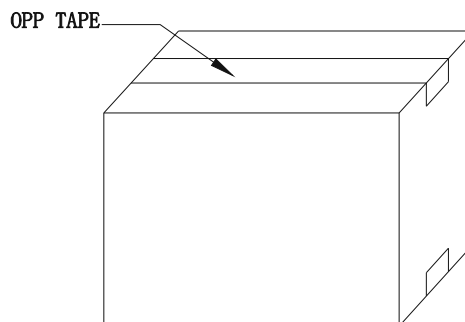
6000PCS/CTN: 45cm × 28cm × 30cm

**包装试验要求:**

沿外包装箱±x, ±y和±z方向, 距水泥地面1.5m高度, 各自由跌落2次, 马达应无机械损伤, 电气性能仍符合标准要求。

**Drop Test with carton:**

Drop the carton in the axial directions of ±x, ±y, ±z onto the concrete floor from 1.5m height, drop twice each direction. After drop test, no mechanical damage to motors, and the electrical performances remain unchanged.

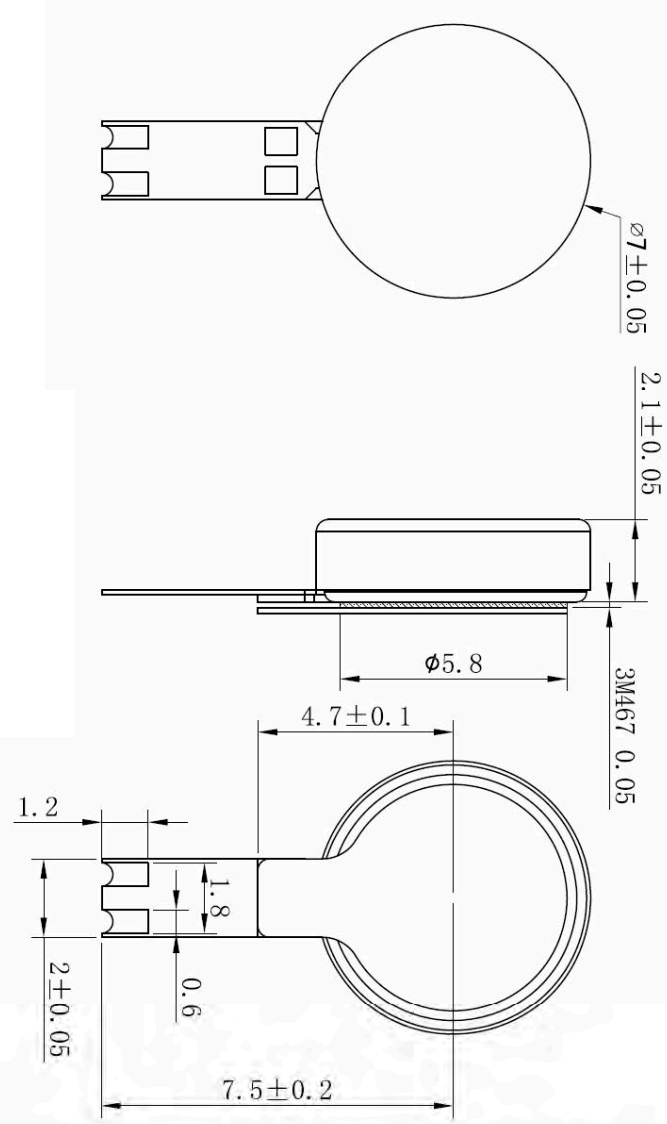




12. 外形图/Motor Outline Drawing

借 (通) 用 件 登 记		旧底图号		底图总号		签 字		日 期		档 案 页	
------------------	--	------	--	------	--	-----	--	-----	--	-------	--



**技术要求/Technic requirement**

1. 额定电压/Rate voltage: 3.0V
2. 额定电流/Rate current: 80mA Max
3. 额定转速/Rate speed: 10000 rpm Min
4. 启动电压/Starting voltage: 2.5V Max
5. 端子阻抗/Terminal resistance:  
43Ω ±15% (单相/Single phase)
6. 在100V直流下, 导线和机壳间绝缘电阻/  
At DC 100V, that lead wire and case thin out  
the insulation resistance: ≥10MΩ
7. 未注公差/Unmark tolerance: ±0.1

标记 处数		更改文件号		签 字		日期	
设计		审核		批准		日期	
制图		校对		工艺			

图 样 标 记		版 次		比 例	
共 张	S	S0	第 张	1:1	

<p>材质:</p>	<p><b>Vybronic</b></p>
外形图	
VC0720B013F	