









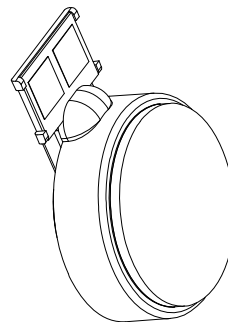
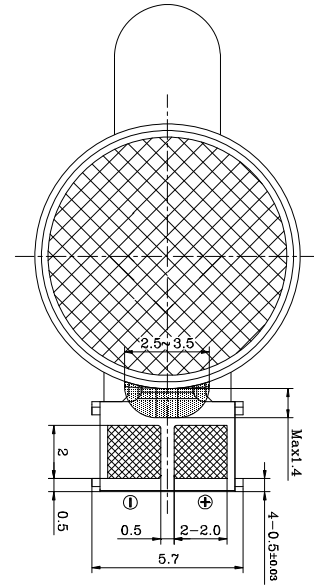
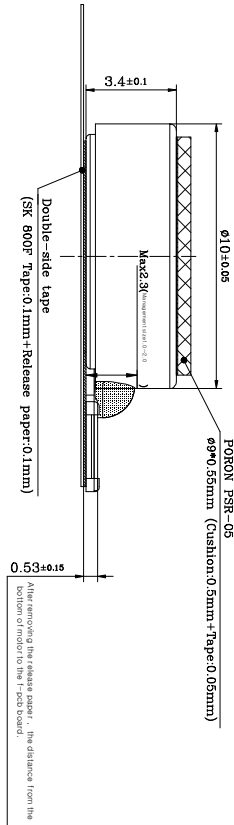
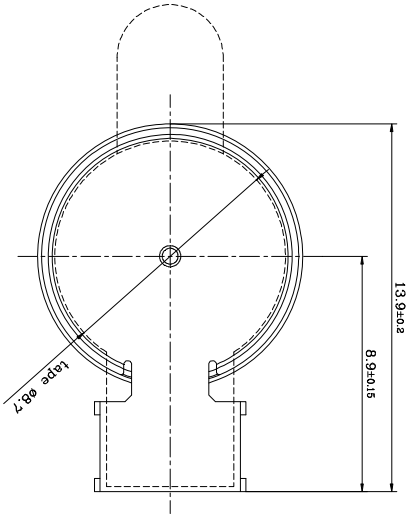










**10. 外形图/ OUTLINE DRAWINGS**

**● Specification**

Operating Range	Voltage(V)	Standard	Standard Speed (rpm)	Standard Current (mA)	Min Starting Voltage (V)
2.7 ~ 3.3	3.0	Standard	12000 ± 3000	80 Max	2.0 Max

**11. 更改记录/ Records of Revision**

修改号 Rev. No.	日期 Rev. Date	页码 Page No.	修改项目 Revised Item	更改原因 Reason
A/0	2010.01.21	/	产品颁布/ Release for Production	
A/1	2020.07.01	/	changed company name from JINLONG MACHINERY to VYBRONICS, changed part # from C1034B400D to VC1034B400D	Rebranding