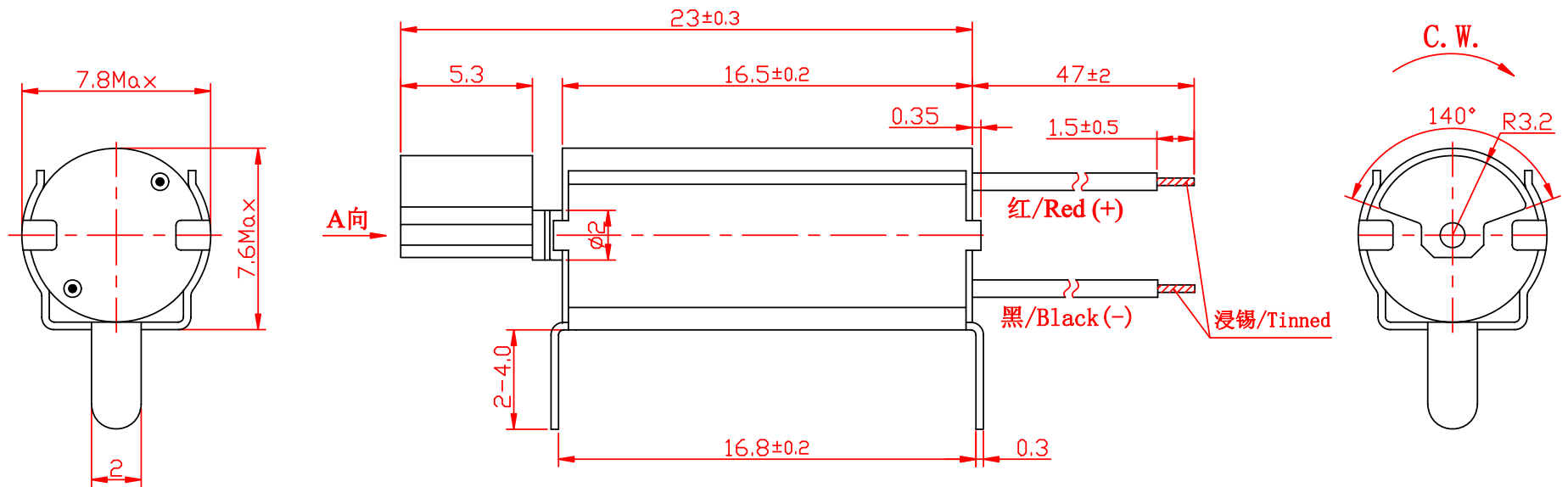


技术要求/Technic requirement

- 1.额定电压/Rated voltage:3.0V
- 2.额定电流/Rated current:250mA Max
- 3.额定转速/Rated speed:12000 ± 2500rpm
- 4.堵转电流/Stall current:680mA Max
- 5.端子阻抗/Terminal resistance:5.5Ω(±20%)
- 6.起动电压/Starting voltage:1.7V Max
- 7.轴向间隙/Shaft end play:0.1~0.3mm
- 8.导线规格/Lead spec: AWG30 UL1571
- 9.所有尺寸为A向压紧后的尺寸(不包括轴向间隙)
/Overall length is measured after counterweight
being pressed against body in direction A. (Shaft
end play is not included.)
- 10.未注线性公差为/Unmarked tolerance: ± 0.1mm



借(通)用件登记

底图总号

签字

日期

						www.vybronic.com			Vybronic		
											阶段标记
标记	处数	分区	更改文件号	签名	日期						
设计				标准化						4:1	
校对											
审核											
工艺				批准		共 页		第 页		VZ7AL2B1692612	